



Consulta tus dudas con nuestro equipo por cualquiera de estos canales



Sealed SKF Explorer spherical roller bearings

Optimum protection against contaminants, downtime and high maintenance costs





Consulta tus dudas con nuestro equipo por cualquiera de estos canales

One choice. Every advantage.

Sealed vs. open bearing



- Increase availability (KPI)
- Lower total cost of bearing purchase
- Operational until planned maintenance stop
- Reduce risk of failure
- Have option to downsize



- Minimize purchase cost
- Remove environmental footprint
- Minimize grease destruction cost



- Reduce maintenance needed
- Reduce injury risk
- Enable easier maintenance planning



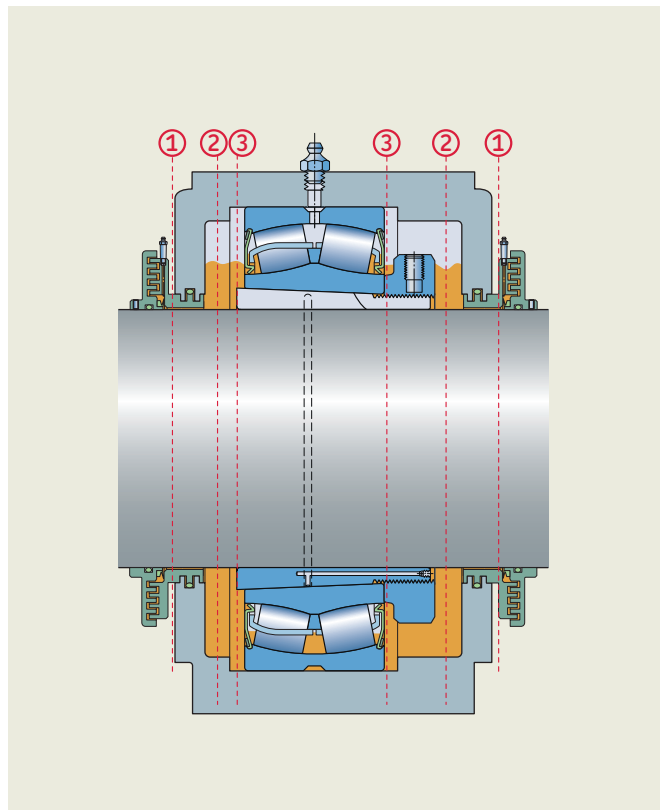
Good for productivity, maintenance and the environment

Ideal for conveyors operating in tough environments, sealed SKF Explorer spherical roller bearings are designed to keep lubricant in and contaminants out. The three main benefits of this feature are:

- Greatly increased uptime
- Much lower maintenance
- Minimal grease consumption and environmental impact



Consulta tus dudas con nuestro equipo por cualquiera de estos canales



Trouble-free installation and operation

Sealed SKF Explorer spherical roller bearings are pre-lubricated with a high-quality bearing grease and sealed with high-performance contact seals. The seals protect the bearing and lubricant from contaminants that might otherwise cause premature bearing failure – even protecting during installation.

In many applications, sealed SKF Explorer spherical roller bearings can be considered lubricated for the life of the bearing, with no need to purge the pulley bearing to force out contaminants – and no need to purchase, pump and dispose of large quantities of grease.

Take a step further with the SKF Three-barrier solution

For harsh operating environments, the SKF Three-barrier solution is an environmentally friendly, cost-effective solution that extends bearing service life without complicated and expensive sealing arrangements.

- 1 Housing seals** – These standard, cost-effective housing seals are characterized by their ability to prevent the ingress of contaminants.
- 2 Housing grease** – SKF recommends filling the housing preferably with SKF LGGB2 grease to act as a contamination barrier. This biodegradable, environmentally friendly grease is an excellent alternative to filling the housing with bearing grease.
- 3 Integral bearing seals** – These very effective seals keep the high-quality bearing lubricant in and contaminants out of the bearing cavity.



Consulta tus dudas con nuestro equipo por cualquiera de estos canales

Widest assortment of sealed spherical roller bearings

Sealed SKF Spherical roller bearing range

Bore (mm)	Series							Bore dim.	
	222	223	230	231	232	239	240		241
25	↔ RS								05
30	↔ RS								06
35	↔ RS								07
40	↔ RS	↔ RS							08
45	↔ RS	↔ RS							09
50	↔ RS	↔ RS							10
55	↔ RS	↔ RS							11
60	↔ RS	↔ RS							12
65	↔ RS	↔ RS					RS		13
70	↔ RS	↔ RS					RS		14
75	↔ RS	↔ RS					RS		15
80	↔ RS	↔ RS							16
85	↔ RS	↔ RS							17
90	↔ RS	↔ RS			RS		RS	RS	18
95	↔ RS	↔ RS					RS		19
100	↔ RS	↔ RS		RS	RS		RS	RS	20
110	↔ RS	↔ RS	RS				RS		22
120	↔ RS		RS						24
130									26
140									28
150									30
160									32
170									34
180									36
190									38
200									40
220									44
240									48
260									52
280									56
300									60
320									64
340									68
360									72
380									76
400									80
420									84
440									88
460									92
480									96
500									/500
530									/530
560									/560
600									/600
630									/630
670									/670
710									/710
750									/750
800									/800
850									/850
900									/900
950									/950
1000									/1 000
1060									/1 060
1120									/1 120
1180									/1 180
1250									/1 250

↔ = Wider than ISO - Prefix BS2 RS = Seal with designation suffix RS
 = Please contact your SKF representative to request this size.

skf.com

© SKF is a registered trademark of the SKF Group.

© SKF Group 2022
 The contents of this publication are the copyright of the publisher and may not be reproduced (even extracts) unless prior written permission is granted. Every care has been taken to ensure the accuracy of the information contained in this publication but no liability can be accepted for any loss or damage whether direct, indirect or consequential arising out of the use of the information contained herein.

PUB BU/P2 18959/2 EN · May 2022

Certain image(s) used under license from Shutterstock.com.